

Australian Patented

Reno TRANSFORMER

Shower Range

Freestyle Shower
Aroma Freestyle
Thermo Shower
Aroma Thermo
Diverter Bath/Shower
Thermo Diverter

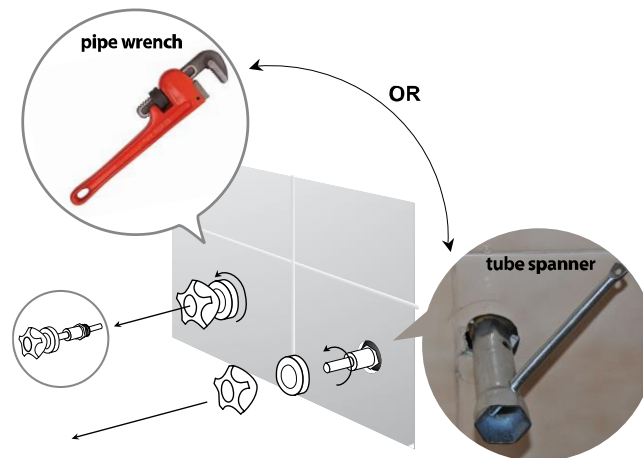


Step 1 – Remove existing fixtures

- a) Close the main water supply.
- b) Remove the existing shower tap handles including spindles/jumper valves and heads.
(Refer to Quoss Website www.quoss.com.au for more information).

Removing tap handles from the wall.

- 1) The quickest and easiest option is to use a pipe wrench to grab the base of the handle (just above the flange) and turn anti-clockwise.
*NOTE: If it is too tight to turn, use a rubber hammer to hit the wrench.
- 2) In most cases, the entire handle, flange and the spindle will come off. Ensure that all the pieces are removed before proceeding to the next step.
*CHECK: Make sure that the washer at the end of the spindle is also removed.
- 3) Poke a finger into the recess tee and make sure there is no washers or extensions inside.
*NOTE: If you feel a dent or if the surface changes while poking inside the recess tee, there is an extension inside.



Alternative method of removing tap handles from the wall.

- 1) Remove the tap handle and flange.
- 2) Use an appropriately – sized tube spanner and turn the spindle **anti-clockwise**.

Installation Check List

- ✓ Check the distance between the two existing tap handles
- ✓ Check the type of existing tap threads or configurations
- ✓ Close the main water supply properly
- ✓ Remove all existing handles, taps, and other parts

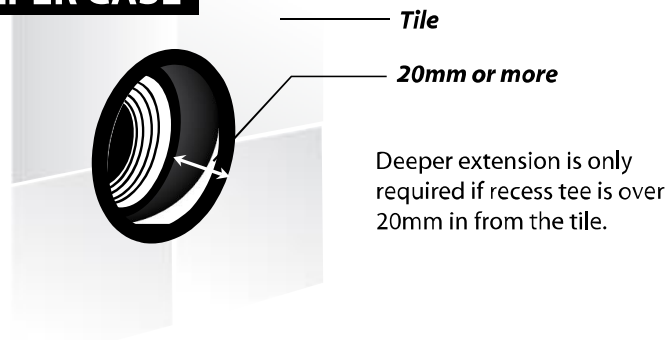
Step 2 – Pre-installation

- Remove any tap extensions before installing any Quoss fittings.
- Check that the distance between the tile wall and the recess tee does not exceed 20mm. If it does, you need to use a **deeper extension**.
- If the recess tee is flush against the tile wall or the distance to the tile wall does not exceed 20mm, proceed to **step 3**.

Installation Check List

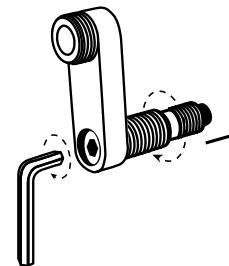
- ✓ Check the distance between the tile wall and the recess tee – for **deeper extension**

DEEPER CASE

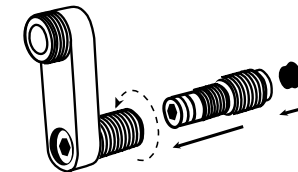


DEEPER EXTENSION

REMOVE INNER CYLINDER

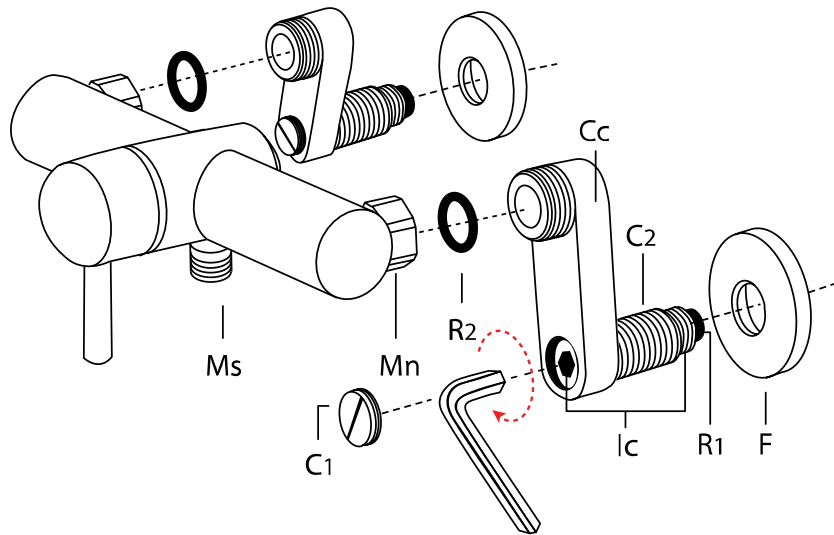


INSERT DEEPER EXTENSION



Step 3 – Installation of mixer

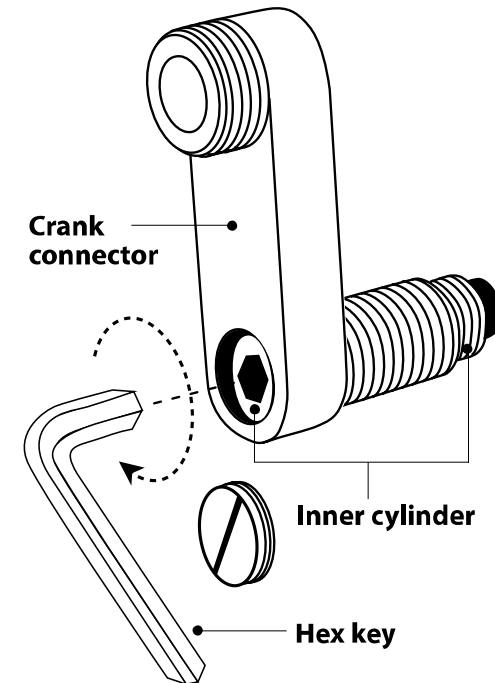
Cc crank connector	R1 rubber washer	Ms mixer spout
C1 cap	R2 rubber washer	Mn mixer nut
C2 thread	F flange cover	Ic Inner cylinder



- Put **flange cover (F)** onto both crank connectors **threads (C2)**.
- Apply plenty of plumbing tape around the **threads (C2)** of each crank connector.
- Check that the **rubber washer (R1)** is on the tip of the **inner cylinder (Ic)**.
- Screw the **crank connector (Cc)** into both the hot and cold water outlet until it tightens.
- Insert the **rubber washer (R2)** into the **mixer nut (Mn)** and attach the mixer to the **crank connectors (Cc)**.
- Once the mixer is firmly tightened, use the supplied hex key to tighten the **inner cylinder (Ic)**.
- Tighten the inner cylinder (Ic) clockwise until it reaches the very end of the recess tee.**
- Close the **crank connector (Cc)** with the **cap (C1)** by turning clockwise.

Installation Check List

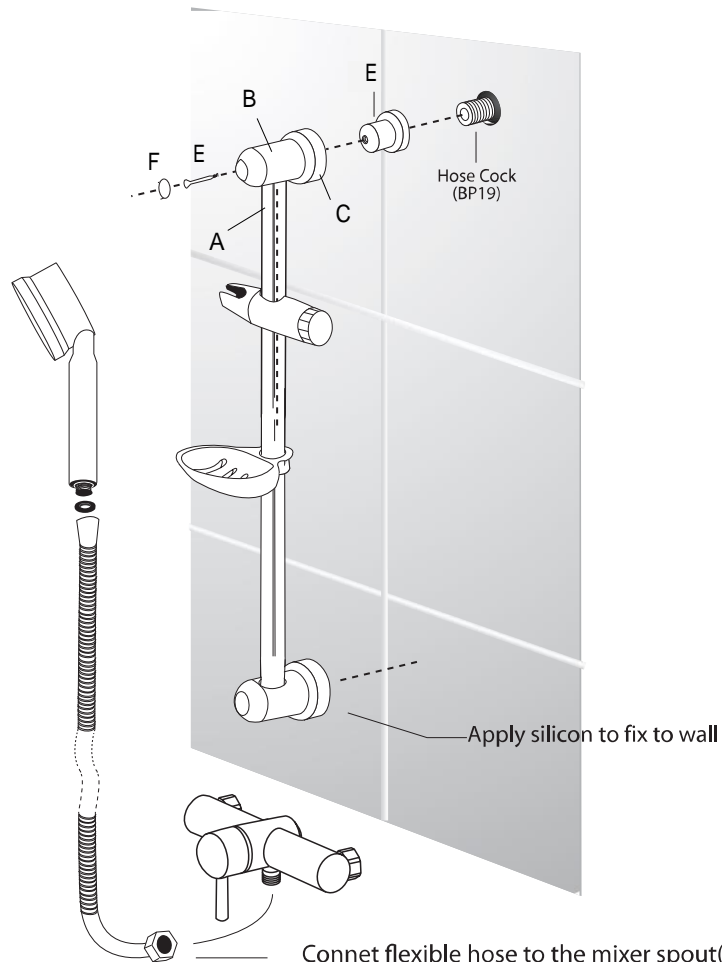
- ✓ Apply plenty of plumbing tape around the thread of crank connector
- ✓ Check that the R1 washer is in place
- ✓ Check that the R2 washer is in place
- ✓ Tighten the crank connector into the existing outlets
- ✓ Tighten the mixer nut onto the crank connector
- ✓ Check whether mixer is installed firmly
- ✓ Tighten the inner cylinder properly
- ✓ Close the crank connector cap properly
- ✓ Turn on the main water supply and check whether there are any water leaks from the hose cock where the old spout used to be
- ✓



Installation Guide – Shower

- i) Turn on the main water supply and check to see if any water comes out from the hose cock (BP19) where the old shower head used to be.
If no water comes out, installation has been successful, proceed to **step 4**.
If any water comes out, installation hasn't been done correctly. Refer to FAQ on Quoss website www.quoss.com.au

Step 4 – Installation of railbar



- Slide on the **flange cover(C)** from front of the **Rail-bar bracket(B)** and push towards the end.
- Line up **Rail-bar pipe(A)** to the hole of **Rail-bar bracket(B)**
- Line up **Rail-bar bolt(D)** to **Brass screw cap(E)** through the **Rail-bar bracket(B)**
- Fit in **Rail-bar bracket cap(F)** to the front hole of **Rail-bar bracket(B)**

Connet flexible hose to the mixer spout(MS) and to the shower head. Make sure a rubber washwer is in between each connection.

✳Special case

- **Deeper Extension Tips**

Note: These tips are to be inserted into the relevant Steps.

Caution

When screwing the inner cylinder, make sure you reach the very back of the recess tee to block the water from travelling to the breach.

Note

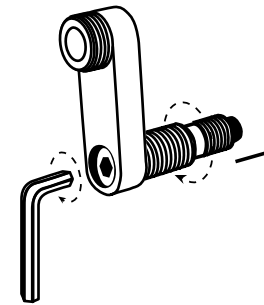
After applying a deeper extension, it may feel tighter to turn the inner cylinder. Apply more strength to screw the inner cylinder until the deeper extension reaches the back of the recess tee.

Removing a Deeper Extension

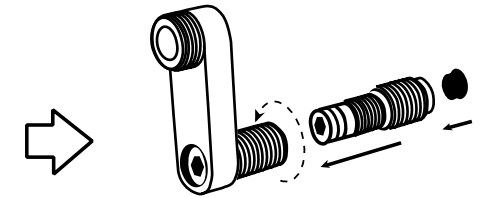
Turn the inner cylinder anti-clockwise with a hex key until the crank connector turns with it. Turn the crank connector until it comes off completely. Remove both the crank connector and the deeper extension.

DEEPER EXTENSION

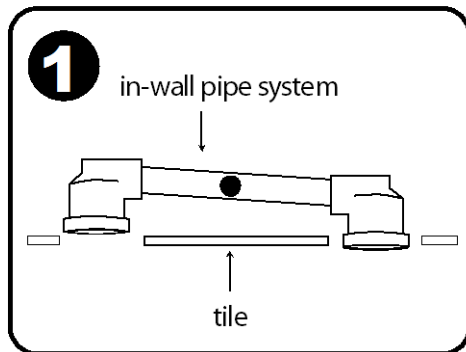
REMOVE INNER CYLINDER



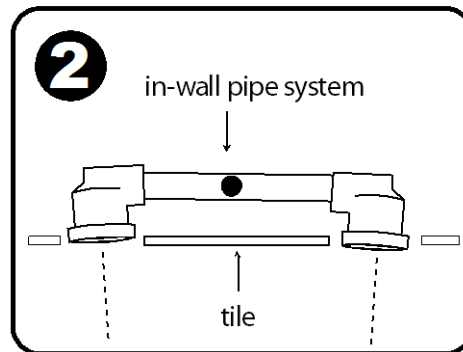
INSERT DEEPER EXTENSION



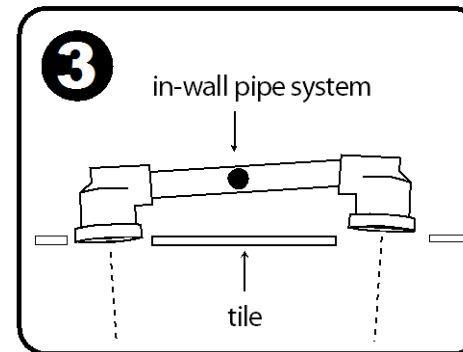
- **In some cases the pipe behind the tile could be distorted :**



One pipe is recessed further into the wall than the other



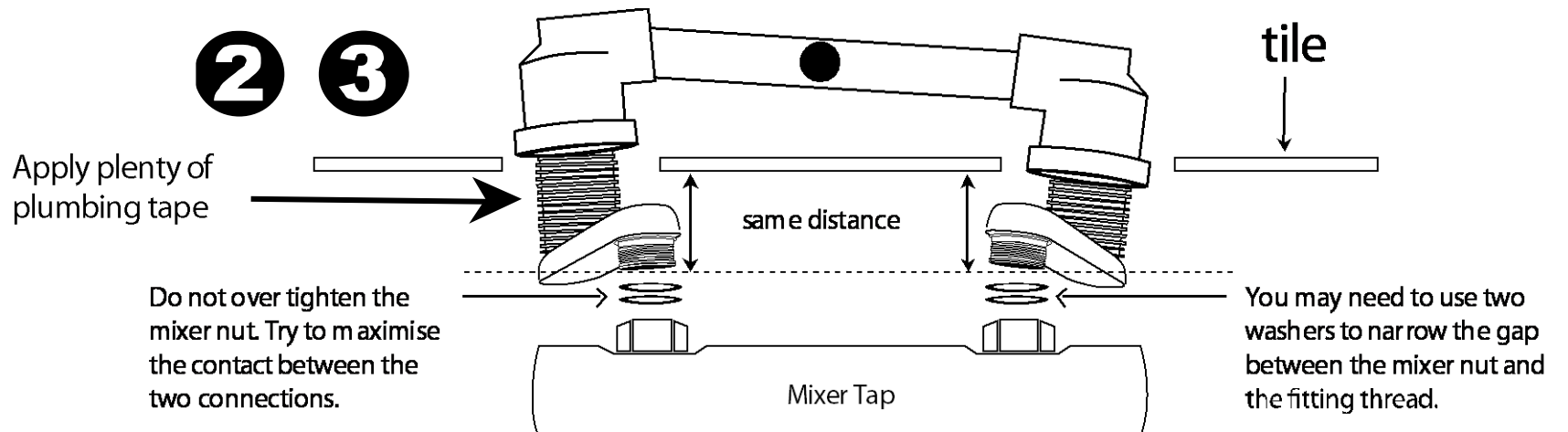
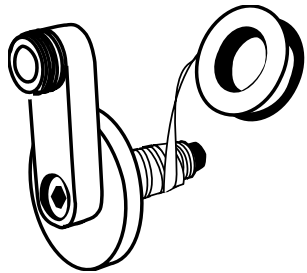
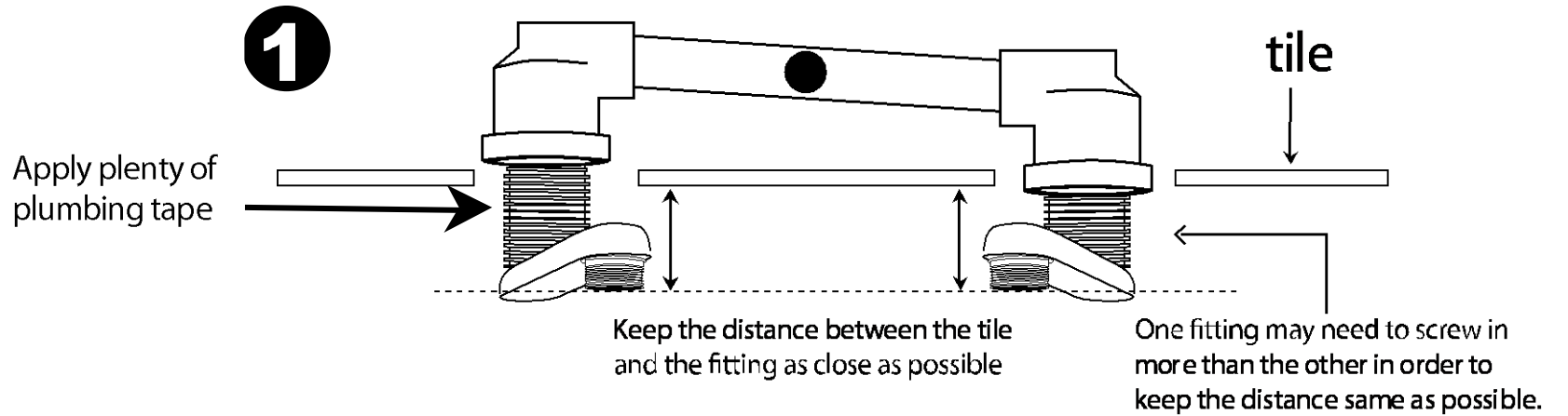
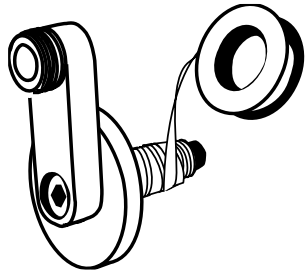
Either one or both pipes are on an angle



Either one or both pipes are on an angle and one is recessed further into the wall

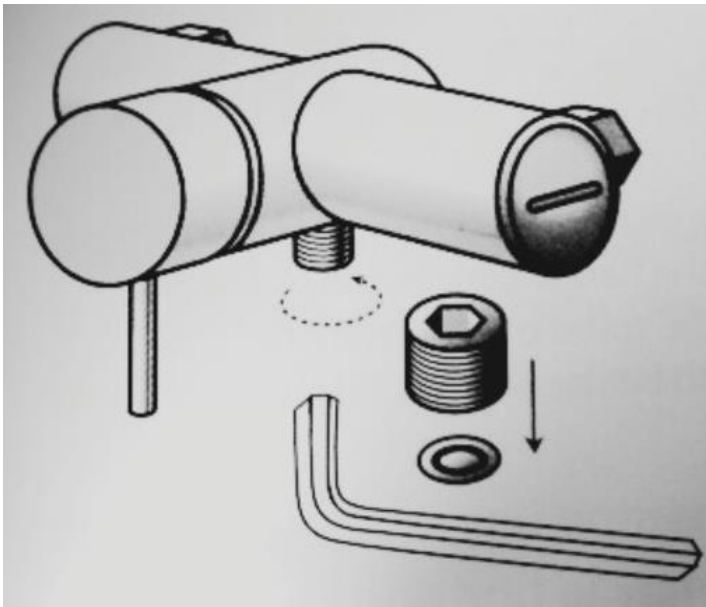
Installation Guide – Shower

Follow the recommendation below:



- **Gravity fed system**

For gravity fed systems, instantaneous gas hot water systems and other systems where hot water pressure is remarkably weaker than cold water, it is recommended that you remove the water controller from the mixer for better water flow rate. Also, the Quoss Aroma Sense Q Shower Head may not be suitable for these systems.



How to remove the water controller

1. Unscrew the water outlet on the mixer with Allen (Hex) key.
2. Remove the water controller by pushing it out.
3. Screw the water outlet back onto the mixer with Allen (Hex) key.
Make sure the rubber washer stays in place.