

Installation Guide

IMPORTANT

- Defects caused by improper care of the product or failure to observe any one or more of the following installation instructions will not be covered by Quoss Warranty.
- Quoss does not assume any responsibility for errors/faults or any damages occurring from installation

Installation Check list

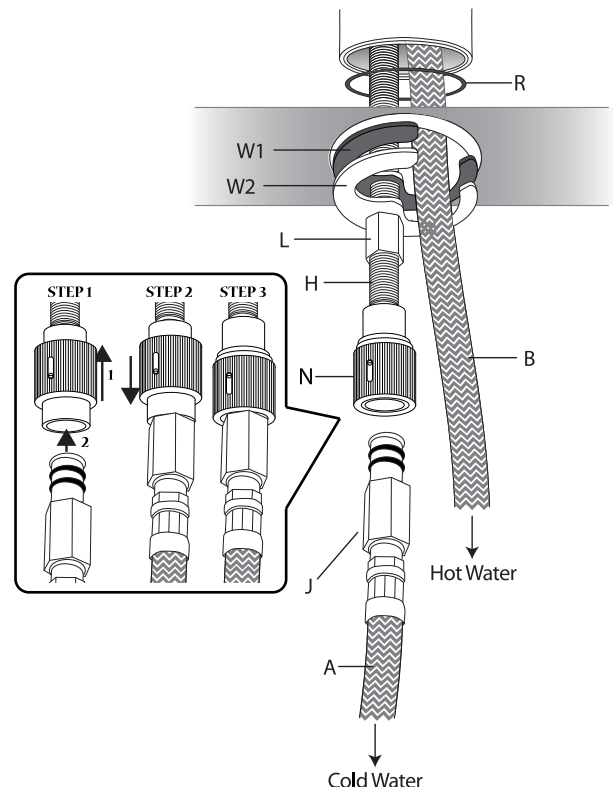
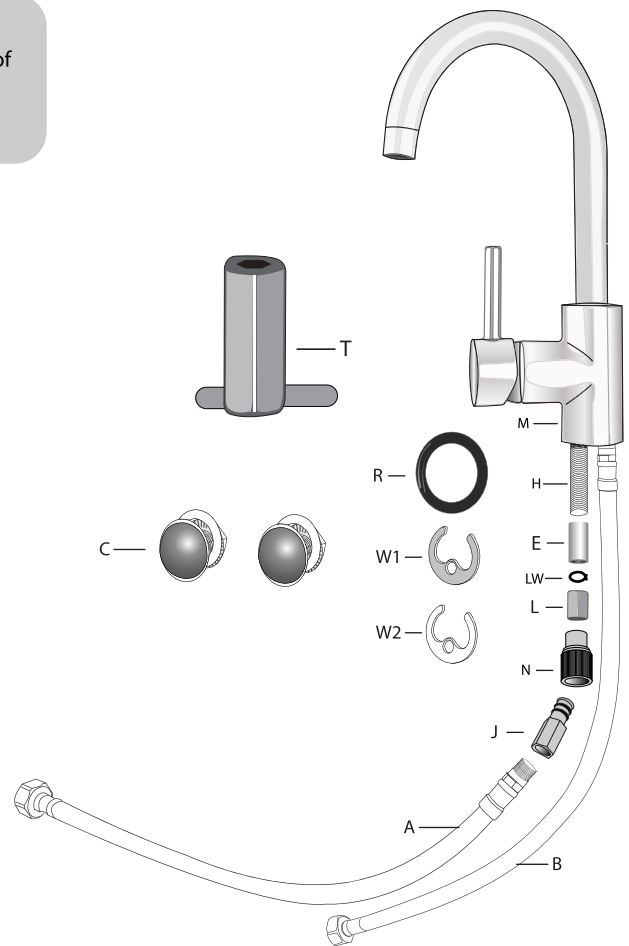
- * Check that you have all the parts shown in the diagram on the right.
- * Ensure that the distance between the water supply pipes (under the sink) and the spout and tap holes (on the sink) does not exceed the length of the hoses (A & B).
If the hoses are not long enough, extension parts (not supplied) will be needed to complete the installation. You can get these parts from your local hardware store or your local plumbing supplier
- * If the existing connectors of your old tap (pipes/hoses under the sink) are seamless pipes (under the sink), you will need to cut the connector and attach a compression union (not supplied). You can get compression unions at your local hardware store. It is recommended that you consult with your local plumber if this is the case.
- * The mixer is not suitable for wall-mounted taps. If your existing tap is wall-mounted, try our Reno Transformer Cobra instead.

Installation Instructions

- 1) Close the main water supply.
- 2) Remove the existing sink tap and handles as well as any connecting hoses/pipes under the sink.
- 3) Clean the top of the sink.
- 4) Firmly screw the **holding bolt (H)** onto the **mixer (M)**. The knobbed side with the rubber washer of the **holding bolt (H)** is the side that needs to be screwed into the **mixer (M)**.
- 5) Firmly screw the **hose (B)** onto the **mixer (M)**. The side without the fat nut is the side that needs to be screwed into the **mixer (M)**.
Note: both hoses (A & B) are the same and can be used interchangeably.
- 6) Place the **base plate (R)** on top of the spout hole.
Note: a rubber ring is pre-inserted inside the base plate. Make sure it is there before installing.
- 7) Place the **mixer (M)** onto the **base plate (R)** making sure that the **flexible hose (B)** and **holding bolt (H)** goes through the spout hole.
Note: If the spout hole is too small for the **hose (B)**, unscrew the **hose (B)** from the **mixer (M)** before placing the **mixer (M)** onto the **base plate (R)**. After the **mixer (M)** has been placed, reattach the **hose (B)** onto the **mixer (M)** from under the sink.
- 8) Set the **mixer (M)** into the desired position/direction then place the **rubber washer (W1)** and **metal washer (W2)** onto the **holding bolt (H)** from under the sink.
- 9) Slide the **extending cylinder (E)** onto the **holding bolt (H)** under the **washers (W1 & W2)**. Ensure that the **Self locking nut (LW)** is placed on top of the **locking nut (L)** then screw on the **locking nut (L)** onto the **holding bolt (H)** using the **plastic tube spanner (T)**.
- 10) Screw the **clip nut (N)** onto the **holding bolt (H)** until it is tightly screwed. Screw on the **joint nut (J)** onto the blue **flexible hose (A)** (this is your cold water hose).
- 11) Connect the **flexible hose (B)** to the hot water supply and the **flexible hose (A)** to the cold water supply.
Note: If you needed extension parts, then attach them to the hose before connecting to the water supply pipes.
- 12) While pushing up **clip nut (N)** as shown in the diagram (**Step 1**), push the **joint nut (J)** (now attached to your hose) into the **clip nut (N)** (**Step 2-3**). Make sure it is pushed in all the way to the end or else it will leak.
- 13) Cover the tap holes (where the tap handles used to be) with the **cover caps (C)**.
Note: **cover caps (C)** come with rubber washers pre-inserted onto both the top and bottom. Ensure that this is the case before installing them.
- 14) Apply a small amount of silicon to the bottom of the rubber part of the caps.
- 15) Insert the caps into the tap handle holes and tighten the screws from under the sink.
- 16) Reopen the main water supply.
- 17) Enjoy your new kitchen mixer!

Technical information

- With solar water heating systems, the hot water supply may have to be shut down separately even after shutting down the main water supply. Also, when turning the water supplies back on, it is recommended that the cold water supply is turned on only halfway while the hot water supply is turned on fully in order to ensure comfortable water temperatures.
- If you have any doubts about the water flow or pressures, please consult your local plumber before installing. It should be noted that every households' water system is different and your local plumber should know your situation better than anyone else.

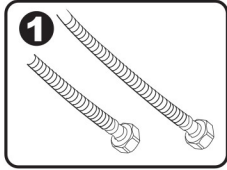


Troubleshooting Tips

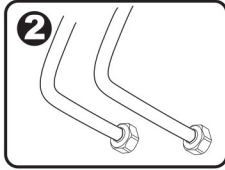
- * Leakage from the flexible hoses or underneath the sink;
Check if all connections have fitted with the right washers and tightened properly.
- * Please refer Quoss Website www.quoss.com.au Handy Info & Tips for further details

How to use compression fittings on copper pipe

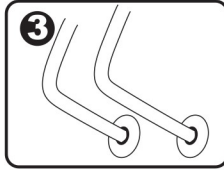
There are three types of connection for the basin and kitchen tap.



Flexible hose connection



copper pipe connection
(with nut)

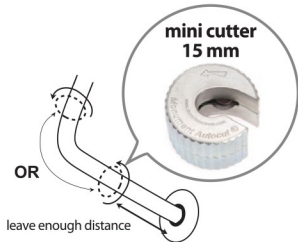


copper pipe connection
(without nut)

STEP 1

Cutting the copper pipe

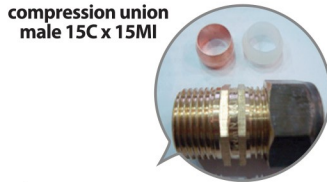
In the case of copper pipe connecting straight to the wall (**case 3**) you will need to cut the pipe using **mini cutter**. Make sure you cut enough distance away from the wall.



STEP 2

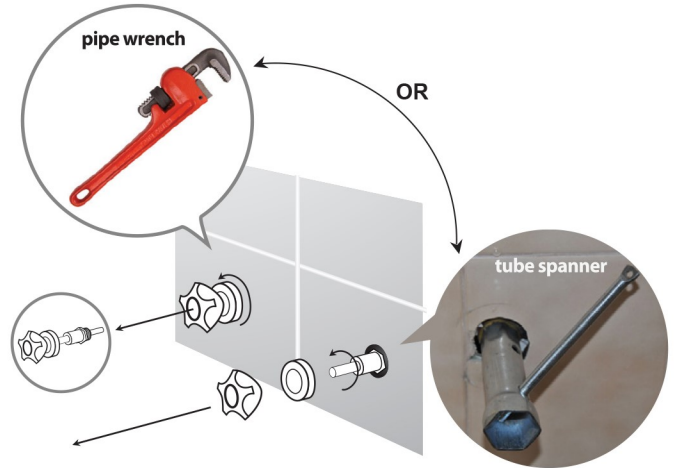
Connecting compression fitting

Insert the nut around the copper pipe. Slide in the olive so that it rests inside the nut. Apply plumbing tape to the thread of the fitting piece and tighten the two pieces together as shown in the diagram.



Tips on removing tap handles from the wall

The quick and most easiest option is to use a **pipe wrench** to turn the entire tap handle **anti-clockwise** by grabbing from the flange connected to the wall. In most cases the entire handle, flange and the spindle will come off. If it's too tight to turn use a rubber hammer to hit the wrench in the anti-clockwise direction.



The other option is to use a **tube spanner**. Remove tap handle and flange. Insert the correct size tube spanner and turn the spindle **anti-clockwise**.