

Australian Patented

# Reno TRANSFORMER

*Rain Shower Range*

Aura Rainfall Shower  
Rain Shower Sunflower



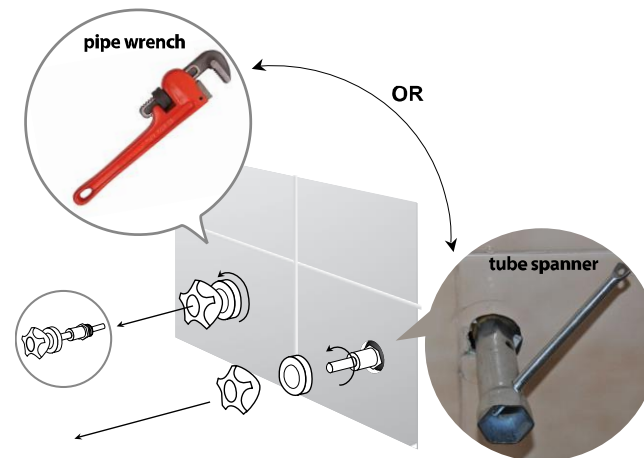
Installation Instructions

### Step 1 – Remove existing fixtures

- a) Close the main water supply.
- b) Remove the existing shower tap handles including spindles/jumper valves and heads.  
(Refer to Quoss Website [www.quoss.com.au](http://www.quoss.com.au) for more information).

#### Removing tap handles from the wall.

- 1) The quickest and easiest option is to use a pipe wrench to grab the base of the handle (just above the flange) and turn anti-clockwise.  
\*NOTE: If it is too tight to turn, use a rubber hammer to hit the wrench.
- 2) In most cases, the entire handle, flange and the spindle will come off. Ensure that all the pieces are removed before proceeding to the next step.  
\*CHECK: Make sure that the washer at the end of the spindle is also removed.
- 3) Poke a finger into the recess tee and make sure there is no washers or extensions inside.  
\*NOTE: If you feel a dent or if the surface changes while poking inside the recess tee, there is an extension inside.



#### Alternative method of removing tap handles from the wall.

- 1) Remove the tap handle and flange.
- 2) Use an appropriately – sized tube spanner and turn the spindle **anti-clockwise**.

#### Installation Check List

- ✓ Check the distance between the two existing tap handles
- ✓ Check the type of existing tap threads or configurations
- ✓ Close the main water supply properly
- ✓ Remove all existing handles, taps, and other parts

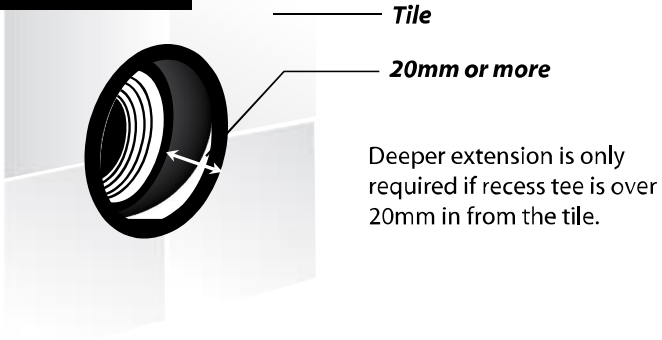
**Step 2 – Pre-installation**

- a) Remove any tap extensions before installing any Quoss fittings.
- b) Check that the distance between the tile wall and the recess tee does not exceed 20mm. If it does, you need to use a **deeper extension**.
- c) If the recess tee is flush against the tile wall or the distance to the tile wall does not exceed 20mm, proceed to **step 3**.

**Installation Check List**

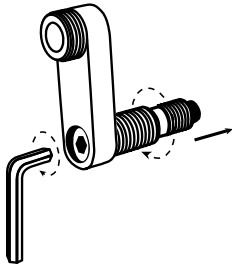
- ✓ Check the distance between the tile wall and the recess tee – for **deeper extension**

**DEEPER CASE**

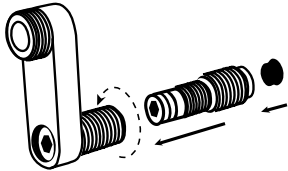


**DEEPER EXTENSION**

REMOVE INNER CYLINDER



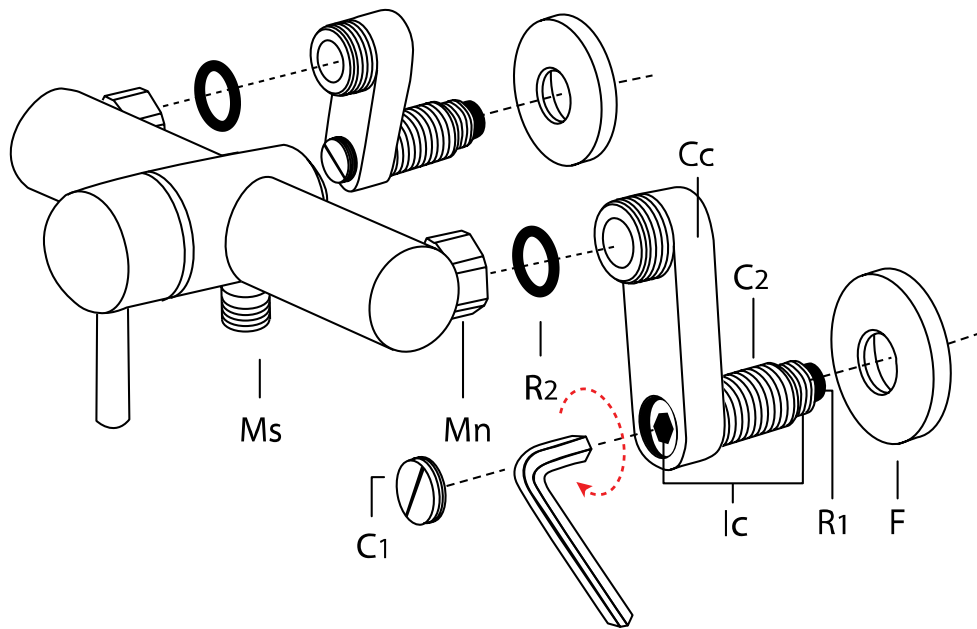
INSERT DEEPER EXTENSION



## Installation Guide – Rain shower

### Step 3 – Installation of mixer

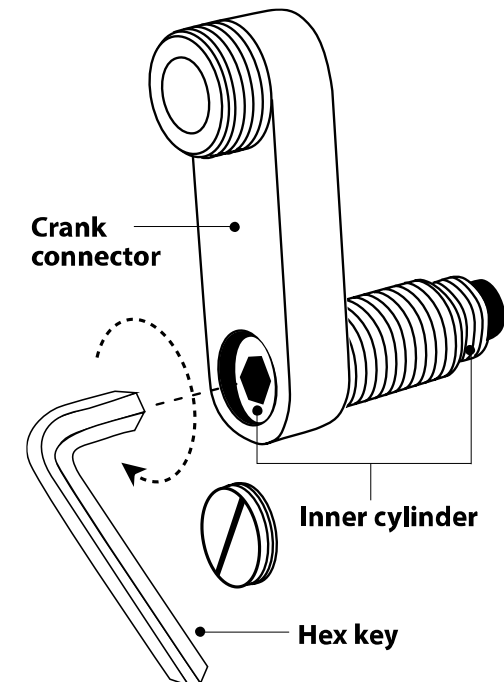
<b>Cc</b> crank connector	<b>R1</b> rubber washer	<b>Ms</b> mixer spout
<b>C1</b> cap	<b>R2</b> rubber washer	<b>Mn</b> mixer nut
<b>C2</b> thread	<b>F</b> flange cover	<b>Ic</b> Inner cylinder



- Put **flange cover (F)** onto both crank connectors **threads (C2)**.
- Apply plenty of plumbing tape around the **threads (C2)** of each crank connector.
- Check that the **rubber washer (R1)** is on the tip of the **inner cylinder (Ic)**.
- Screw the **crank connector (Cc)** into both the hot and cold water outlet until it tightens.
- Insert the **rubber washer (R2)** into the **mixer nut (Mn)** and attach the mixer to the **crank connectors (Cc)**.
- Once the mixer is firmly tightened, use the supplied hex key to tighten the **inner cylinder (Ic)**.
- Tighten the inner cylinder (Ic) clockwise until it reaches the very end of the recess tee.**

### Installation Check List

- ✓ Apply plenty of plumbing tape around the thread of crank connector
- ✓ Check that the R1 washer is in place
- ✓ Check that the R2 washer is in place
- ✓ Tighten the crank connector into the existing outlets
- ✓ Tighten the mixer nut onto the crank connector
- ✓ Check whether mixer is installed firmly
- ✓ Tighten the inner cylinder properly
- ✓ Close the crank connector cap properly
- ✓ Turn on the main water supply and check whether there are any water leaks from the hose cock where the old spout used to be

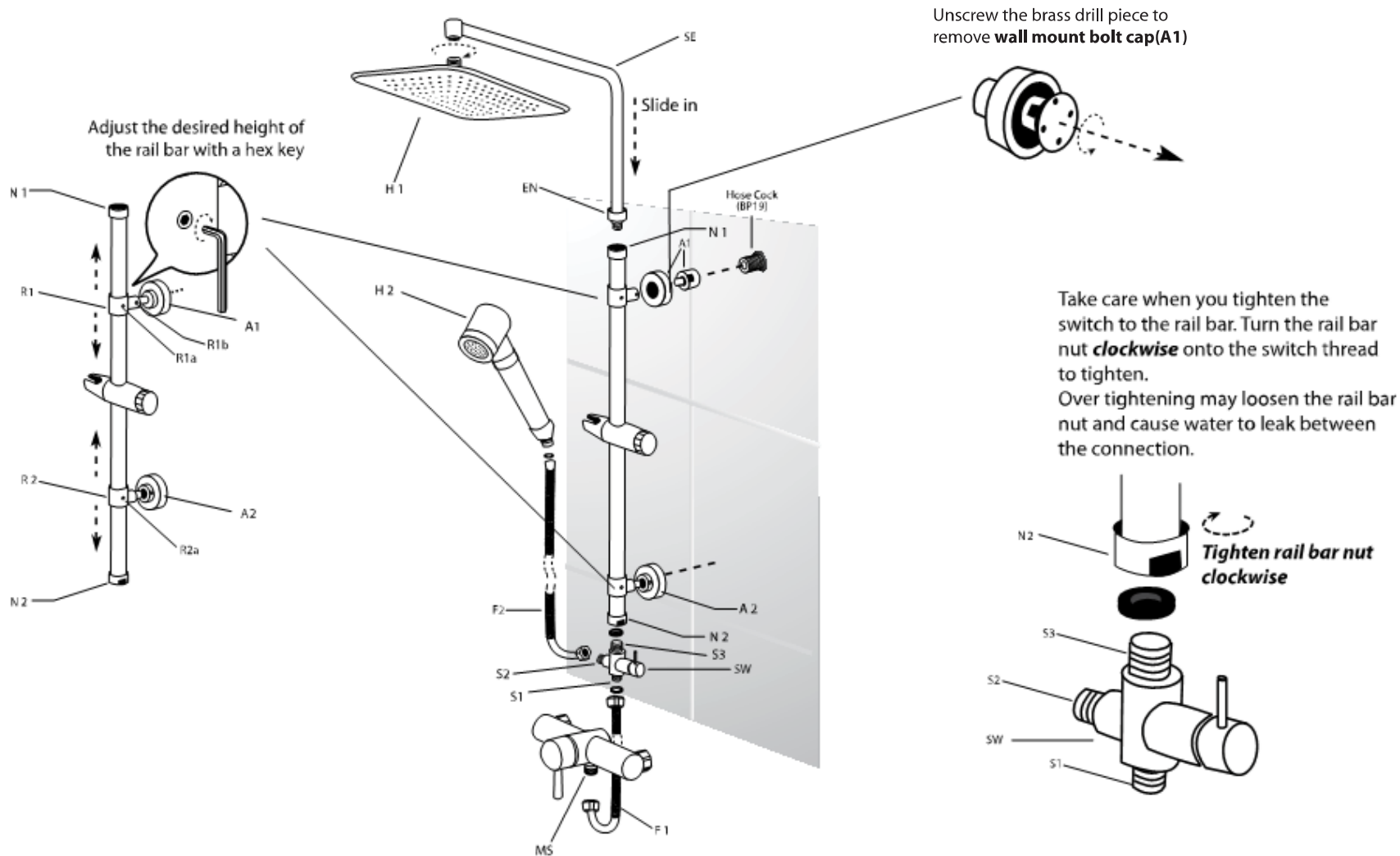


# Installation Guide – Rain shower

- h) Close the **crank connector (Cc)** with the **cap (C1)** by turning clockwise.
- i) Turn on the main water supply and check to see if any water comes out from the hose cock (BP19) where the old shower head used to be.  
If no water comes out, installation has been successful, proceed to **step 4**.  
If any water comes out, installation hasn't been done correctly. Refer to FAQ on Quoss website [www.quoss.com.au](http://www.quoss.com.au)

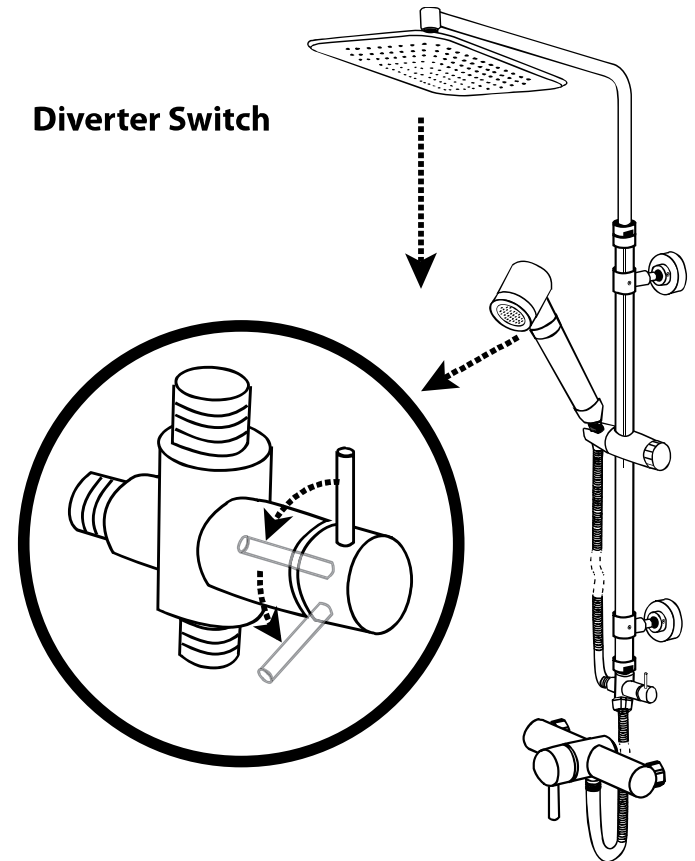
## Step 4 – Installation of railbar

AURA



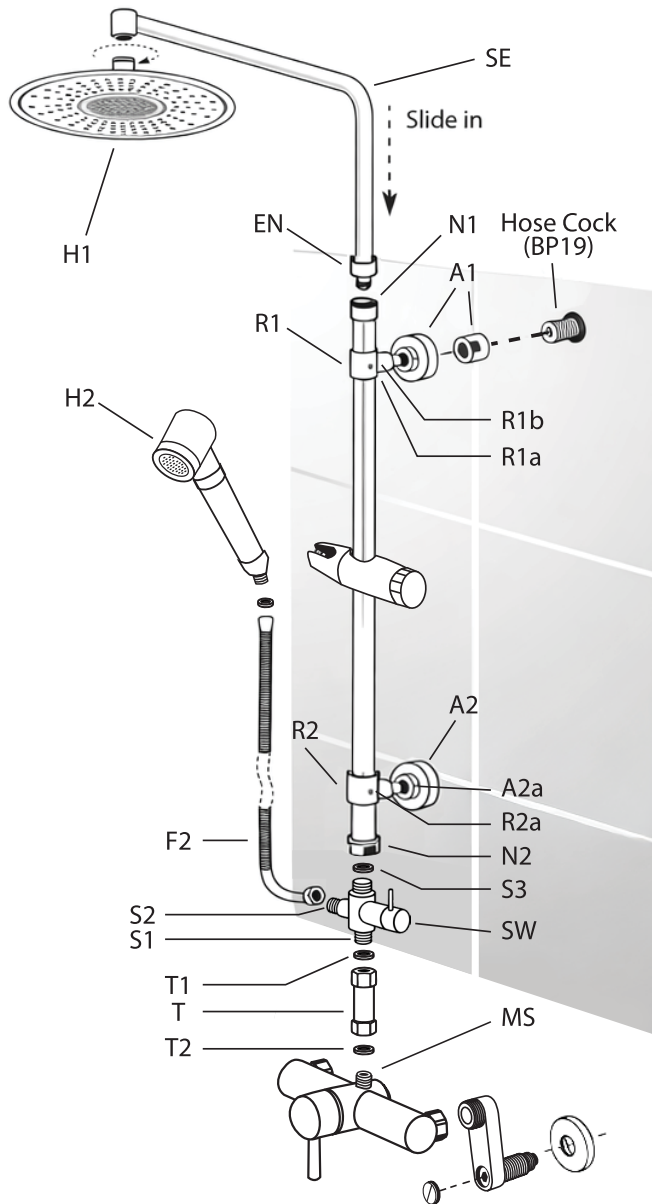
## Installation Guide – Rain shower

- a) Attach the **switch (SW)** onto the **rail bar nut (N2)** and then fasten by turning the nut clockwise.  
\*CHECK: a washer should come pre-inserted inside the **rail bar nut (N2)**.
- b) Screw the **overhead shower head (H1)** to the rain shower elbow (SE) tightly.  
\*CHECK: A washer should come pre-inserted inside the **overhead shower head (H1)**.
- c) Insert the **rain shower elbow (SE)** into the rounded tip of the **rail bar (N1)**. Adjust the height of the shower to your preference by sliding the **elbow nut (EN)** and then fasten by screwing the **elbow nut (EN)** clockwise.
- d) Screw the **wall mount bolt cap (A1)** to the hose cock (BP19).  
\*CHECK: if a brass drill piece is inside the **wall mount bolt cap (A1)**, make sure to unscrew and remove the drill piece before installing.
- e) Insert the **wall mount nut cap (A2)** to the **rail bar male bracket (R2)** and then fasten the **wall mount nut cap (A2)** using a hex key.
- f) Apply silicon to the underside of the **wall mount nut cap (A2)** and then fix the rail bar to the wall by first inserting the **wall mount bolt cap (A1)** into the **rail bar bracket (R1)**. Fasten the **rail bar bracket screw (R1b)** by using a hex key.
- g) Align the rail bar to be straight and then apply firm pressure to the **wall mount nut cap (A2)** so that the silicon sticks to the wall.
- h) Fasten the **rail bar bracket screws (R1a & R2a)** to the rail bar by using a hex key.
- i) Connect the **70 Cm flexible hose (F1)** to the **switch thread (S1)** and the **mixer spout (MS)**.  
\*CHECK: a washer should come pre-installed at both ends of the hose.
- j) Connect the 1.5M flexible hose (F2) to the switch thread (S2) and the hand shower head (H2).  
\*NOTE: the nut side of the flexible hose connects to the switch thread and the screw side connects to the hand shower head
- k) Attach the soap holder to the rail bar and tighten the screws to fasten.



Switch between the overhead shower and the hand held shower.  
You may also leave the switch halfway to run both at the same time.

## Installation Guide - Rain Shower



- Attach the **switch (SW)** onto the **rail bar nut (N2)** and then fasten by turning the nut clockwise.  
\*CHECK: a washer should come pre-inserted inside the **rail bar nut (N2)**.
- Screw the **overhead shower head (H1)** to the overhead **shower elbow (SE)** tightly.  
\*CHECK: a washer should come pre-inserted inside the **overhead shower head (H1)**.
- Insert the overhead shower elbow (SE) into the rounded tip of the **rail bar (N1)**. Adjust the height of the shower to your preference by sliding the **elbow nut (EN)** and then fasten by screwing the **elbow nut (EN)** clockwise.
- Screw the **wall mount bolt cap (A1)** to the **hose cock (BP19)**  
\*CHECK: if a brass drill piece is inside the **wall mount bolt cap (A1)**, make sure to unscrew and remove the drill piece before installing.
- Attach the rail bar to the wall by inserting the **wall mount bolt cap (A1)** into the **rail bar bracket (R1)**. Fasten the **rail bar bracket screw (R1b)** using a hex key.
- Insert the **wall mount nut cap (A2)** to the **rail bar male bracket (R2)** and then fasten the **wall mount nut cap (A2)** using a hex key
- Connect the **1/2" Connector (T)** to the **switch thread (S1)**. Then, attach the **mixer spout (MS)** to the end of the **1/2" Connector (T)** and fasten until secure.  
\*CHECK: ensure washers are properly inserted in both ends of the **1/2" Connector (T)** before assembly.
- Fasten the **rail bar bracket screw (R1a)** to the rail bar by using a hex key.
- Connect the **flexible hose (F2)** to the **switch thread (S2)** and the hand **shower head (H2)**.  
\*NOTE: the nut side of the flexible hose connects to the switch thread and the screw side connects to the hand shower head.

## ※Special case

- **Deeper Extension Tips**

Note: These tips are to be inserted into the relevant Steps.

**Caution**

When screwing the inner cylinder, make sure you reach the very back of the recess tee to block the water from travelling to the breach.

**Note**

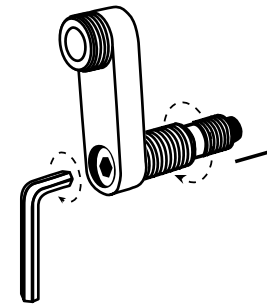
After applying a deeper extension, it may feel tighter to turn the inner cylinder. Apply more strength to screw the inner cylinder until the deeper extension reaches the back of the recess tee.

**Removing a Deeper Extension**

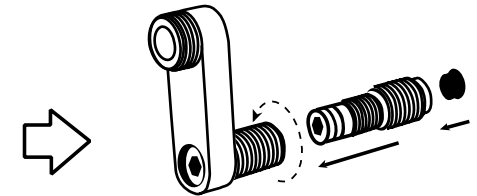
Turn the inner cylinder anti-clockwise with a hex key until the crank connector turns with it. Turn the crank connector until it comes off completely. Remove both the crank connector and the deeper extension.

**DEEPER EXTENSION**

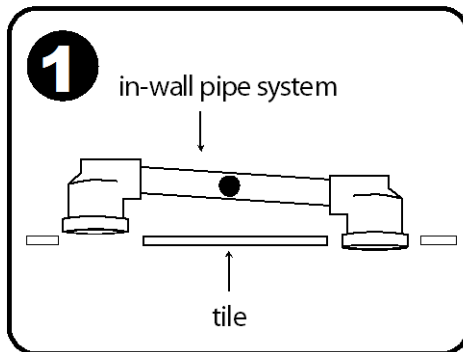
REMOVE INNER CYLINDER



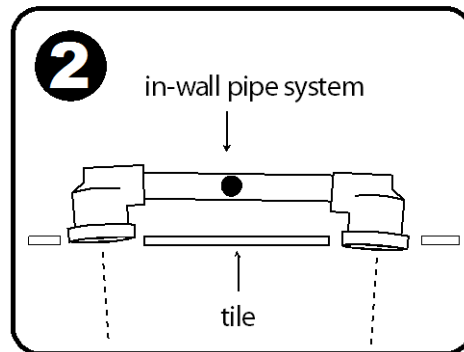
INSERT DEEPER EXTENSION



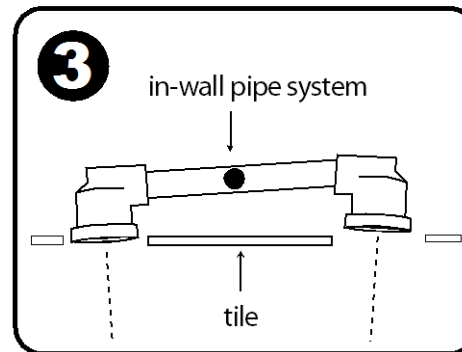
- **In some cases the pipe behind the tile could be distorted :**



One pipe is recessed further into the wall than the other



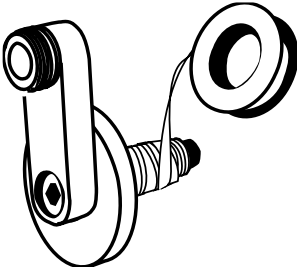
Either one or both pipes are on an angle



Either one or both pipes are on an angle and one is recessed further into the wall

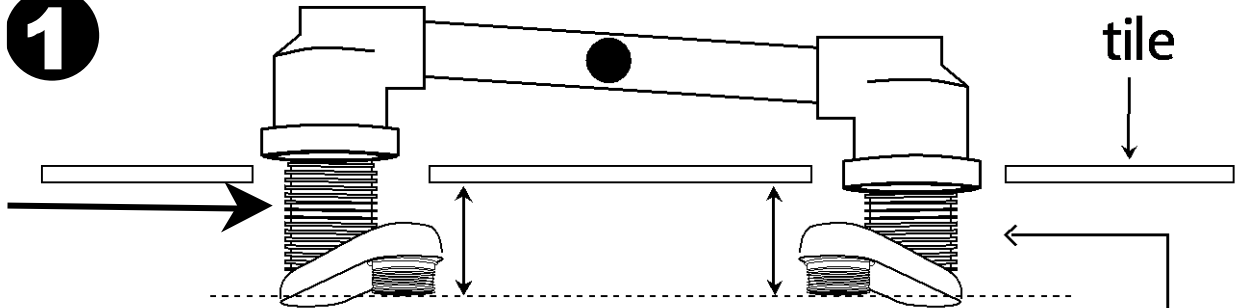
# Installation Guide – Rain shower

Follow the recommendation below:



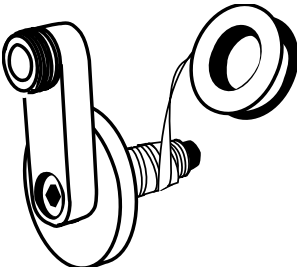
**1**

Apply plenty of plumbing tape



Keep the distance between the tile and the fitting as close as possible

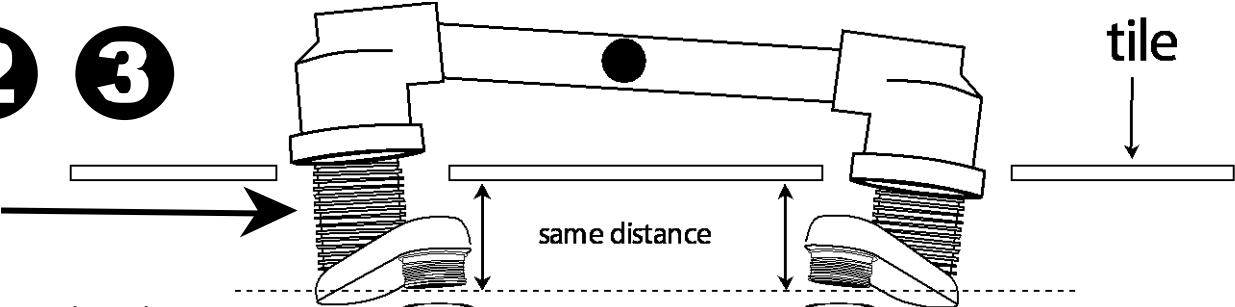
One fitting may need to screw in more than the other in order to keep the distance same as possible.



**2**

**3**

Apply plenty of plumbing tape



same distance

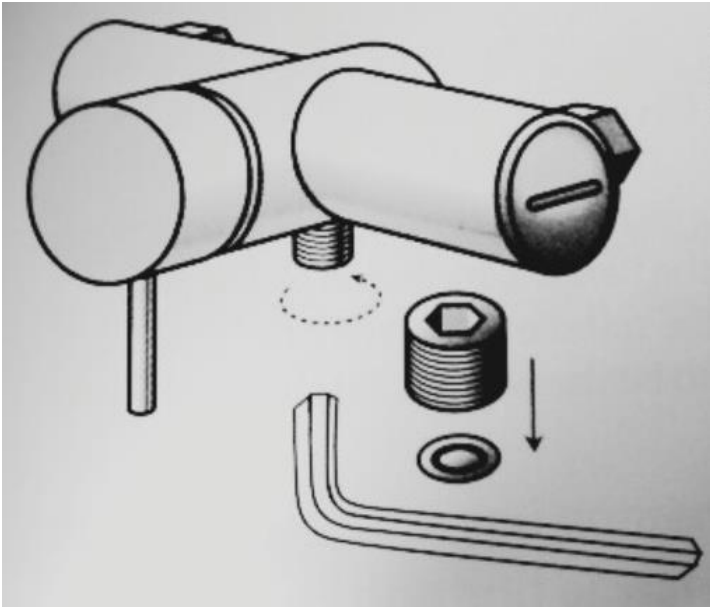
Do not over tighten the mixer nut. Try to maximise the contact between the two connections.

Mixer Tap

You may need to use two washers to narrow the gap between the mixer nut and the fitting thread.

- **Gravity fed system**

For gravity fed systems, instantaneous gas hot water systems and other systems where hot water pressure is remarkably weaker than cold water, it is recommended that you remove the water controller from the mixer for better water flow rate. Also, the Quoss Aroma Sense Q Shower Head may not be suitable for these systems.



### How to remove the water controller

1. Unscrew the water outlet on the mixer with Allen (Hex) key.
2. Remove the water controller by pushing it out.
3. Screw the water outlet back onto the mixer with Allen (Hex) key.  
Make sure the rubber washer stays in place.